

# Zero Sequence (Residual) Current Transformers

## ZCTA Series Zero Sequence/Residual Current Transformers

Yuanxing ZCTA series zero sequence (residual) current transformers are for indoor application, various window sizes, installation types and turn ratios are selectable, detailed specifications is as shown in below chart.



### FEATURES

- Low Cost
- High permeability core material, without air gap, and the secondary winding is evenly wound with small magnetic leakage.
- More than ten kinds of external structure dimensions
- Various specifications available

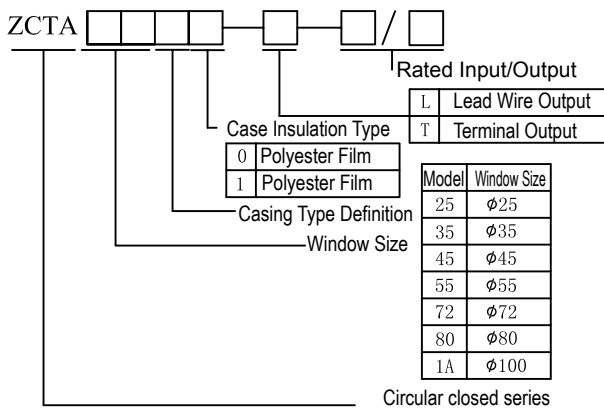
### APPLICATIONS

- Current and voltage monitoring, fire and electric leakage prevention system, small current grounding system
- Electromagnetic relay protection device, microcomputer protection device

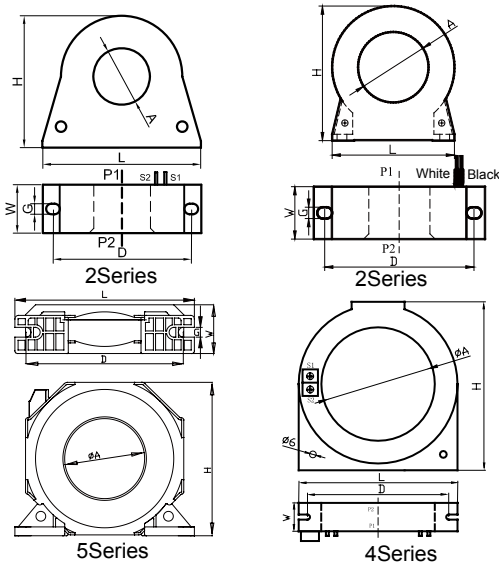
### SPECIFICATIONS

- Frequency: 50-2000 Hz
- Environment Working Temperature: -20 C - +50 C, -40 C - +85 C optional
- Working Voltage: 600Vac • Dielectric Strength: 2500Vac /min
- Impulse Voltage: 5000V (1.2/50µs standard lightning wave)
- Environment Protection: RoHS compliant
- Accuracy Class: Class 0.2, 0.5, 1.0, 2.0.

### Part Number Definition



### Outline Dimensions



### Technical Performance

Model	Window Size (A)	Outline Dimensions (mm)					Zero Sequence Current	Turn Ratio	Accuracy Class	Secondary Burden	Allowed Phase Current
		L	W	H	D	G					
2 Series	25	80	23	69.5	68	6	10mA-10A	1000:1 2000:1	0.2,0.5	<500 Ω	<50A
	35	100	30	90	85.5	6.5	10mA-10A	1000:1 2000:1	0.2,0.5	<500 Ω	<100A
	45	120	34	101.5	98	5	10mA-10A	1000:1 2000:1	0.2,0.5	<500 Ω	<160A
	55	150	36	126	126	5.5	10mA-10A	1000:1 2000:1	0.5,1.0	<500 Ω	<200A
	72	125	30	137.5	105	8.5	10mA-10A	1000:1 2000:1	0.5,1.0	<500 Ω	<300A
4 Series	80	120	25	125	105	5.5	10mA-10A	1000:1 2000:1	0.5,1.0	<500 Ω	<460A
	100	140	25	145	125	5.5	10mA-10A	1000:1 2000:1	0.5,1.0	<500 Ω	<630A
5 Series	45	101	27.5	86.5	88.8	5.5	10mA-10A	1000:1 2000:1	0.5,1.0	<500 Ω	<160A
	72	125	29	127	105	6.5	10mA-10A	1000:1 2000:1	0.5,1.0	<500 Ω	<300A

**SHANDONG YUANXING Electronics Co.,Ltd.**

Phone: +86-533-381-8450  
Fax: +86-533-381-8724

NO.39, QIXIN AVENUE, ZHANGDIAN,  
ZIBO, SHANDONG, CHINA 255095

[www.yuanxing.net](http://www.yuanxing.net)  
[sales@yuanxing.net](mailto:sales@yuanxing.net)

Single turn primary  
Wound primary  
Measurement

Without DC Immunity  
Electronic Watthour Meter  
With DC Immunity

Steady Protection  
Transient Protection  
For Protection Relay  
Passive for Fault Recording  
Active for Fault Recording

Motor Protection

ZCTA Series  
Zero Sequence  
Miniature